

11  
kWh/1000h

A  
energy class

54  
lumens/watt

## Stick T3 Mini - 10,000 hours - upgraded design

OT FLE11TBX/T3/840/E27 230V 1/10  
10Y/01

### 71500

## Product information

The T3 10,000 hours Mini stick range offers low energy consumption in a compact size, along with additional benefits such as instant light-on and fast warm-up. Stick shaped lamps provide an energy saving alternative for almost all applications where incandescent bulbs are currently used – ensuring excellent light quality and reliable energy savings.

## Application areas



Office



Home



## Product data

Product Code	71500
Bulb Shape	Hex
Bulb maximum overall diameter [mm]	44.5
Nominal Length [mm]	123
Maximum Overall Length [mm]	123
Net weight per piece [g]	63
Gross weight per piece [g]	97
Operating position	U - Universal
Mercury Content [mg]	2
UV radiance	exempt
Brand	GE Lighting
Cap/Base	E27

## Performance data

Colour Code	840
Rated Lumens [lm]	590
Weighted energy consumption [kWh/1000h]	11.0
Energy efficiency class (EEC)	A
Rated Life [h]	10000
Nominal correlated colour temperature (CCT) [K]	4000
Nominal lumens [lm]	590
Colour Rendering Index (CRI) [Ra]	82

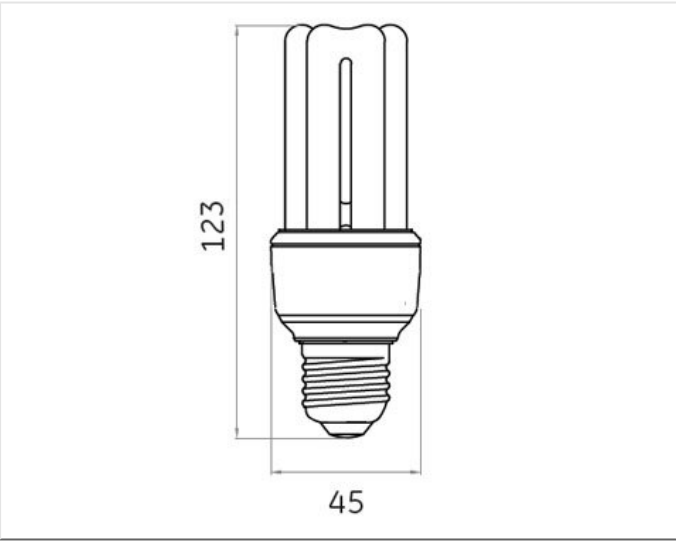
## Electrical data

Nominal lamp power factor...	>= 0,55
Rated power [W]	11.0
Lamp Current [A]	0.09
Operating Temperature (MAX) [°C]	40
Starting ambient temperature range	-10
Startup time [sec]	1
Run-up time (sec)	< 40
Starting time (sec)	< 1
Number of switching cycles	30000
Dimming Capability	No
Nominal power [W]	11
Nominal lamp voltage [V]	230

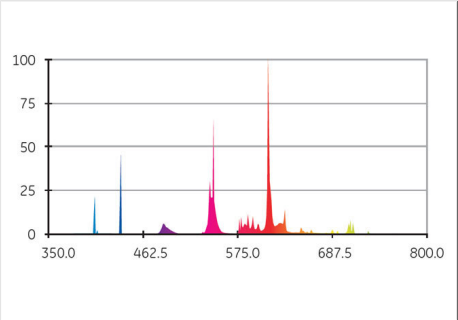
## Logistic data

DUN Code	10043168715000
EAN Code	0043168715003
Pack Quantity	10
Inner pack type	BOX
Outer pack type	OUTER BOX
Layer quantity	370 EUR, 460 UK
Layer quantity EUR	370
Layer quantity UK	460
Pallet quantity EUR (PC)	2590
Pallet quantity UK (PC)	3220
Outer case size	245 x 102 x 148 (mm)
Product status	Phased-out

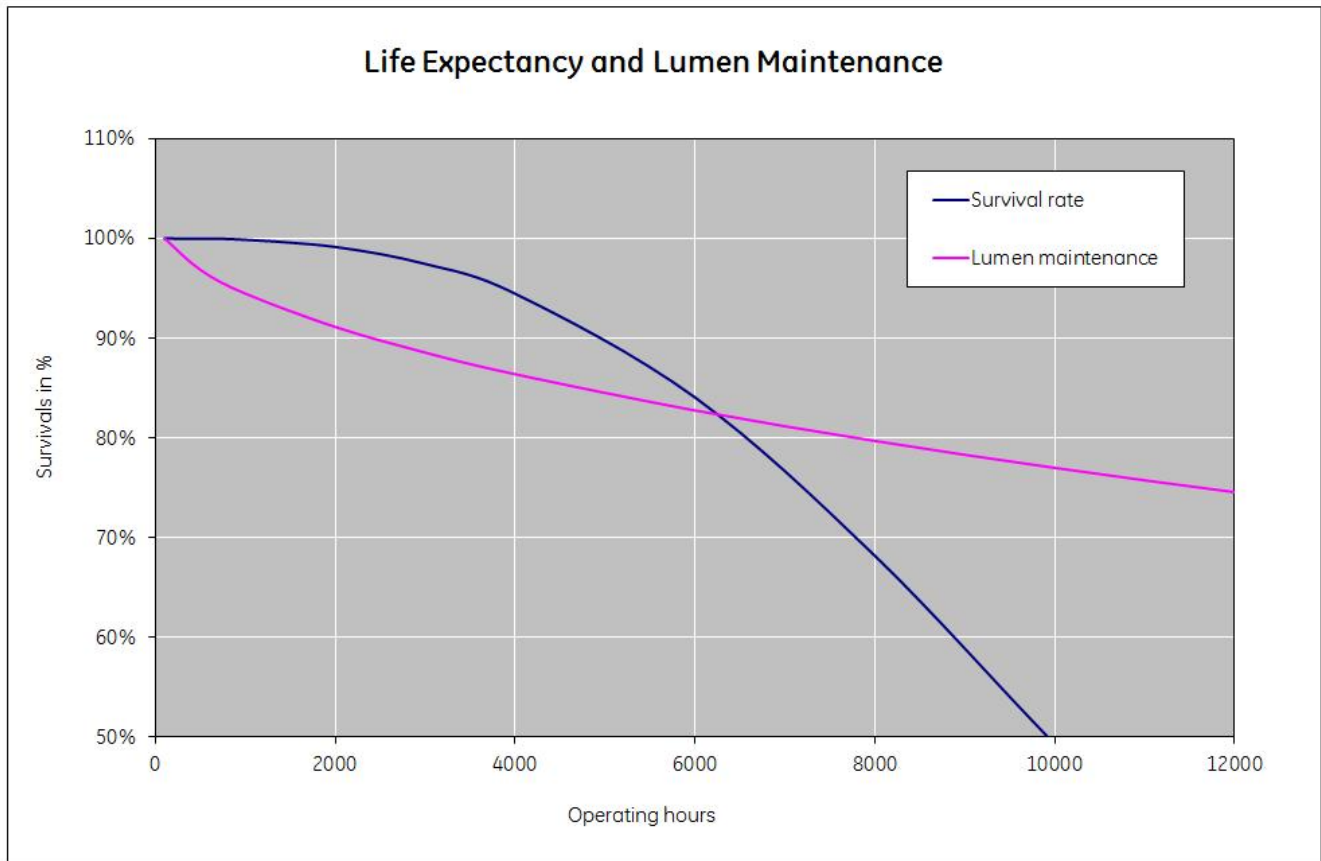
Technical drawing



Spectral distribution



## Survival data



## Downloads & Links

[Go to the catalog site \(HTTP\)](#)

[CFL Integrated Spectrum Catalogue \(PDF\)](#)

[T3 Stick Mini 10000 Hours Datasheet \(PDF\)](#)

[Lighting design tools & calculators \(HTTP\)](#)

[Lighting design tools & calculators \(HTTP\)](#)

[High-res images / Technical drawings \(HTTP\)](#)

[Certificate for the Quality Management System of GE Lighting EMEA \(PDF\)](#)

[Certificate for the Environmental Management System of GE Lighting EMEA \(PDF\)](#)